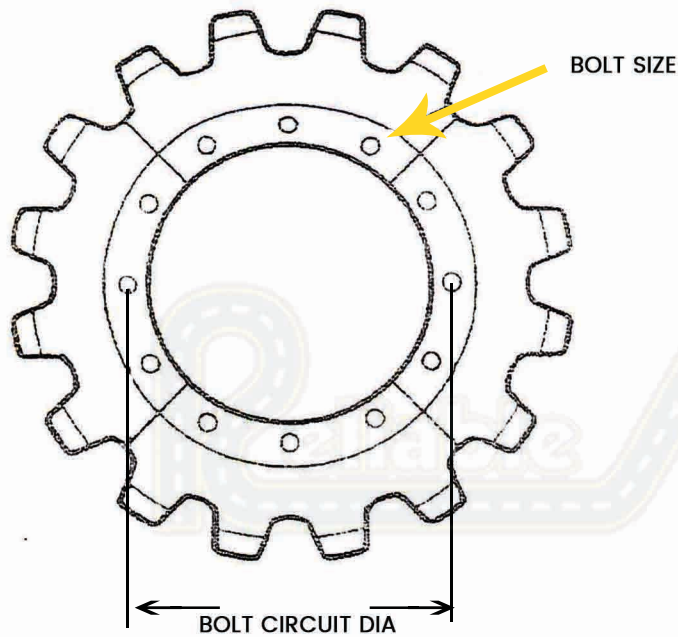
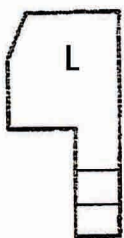
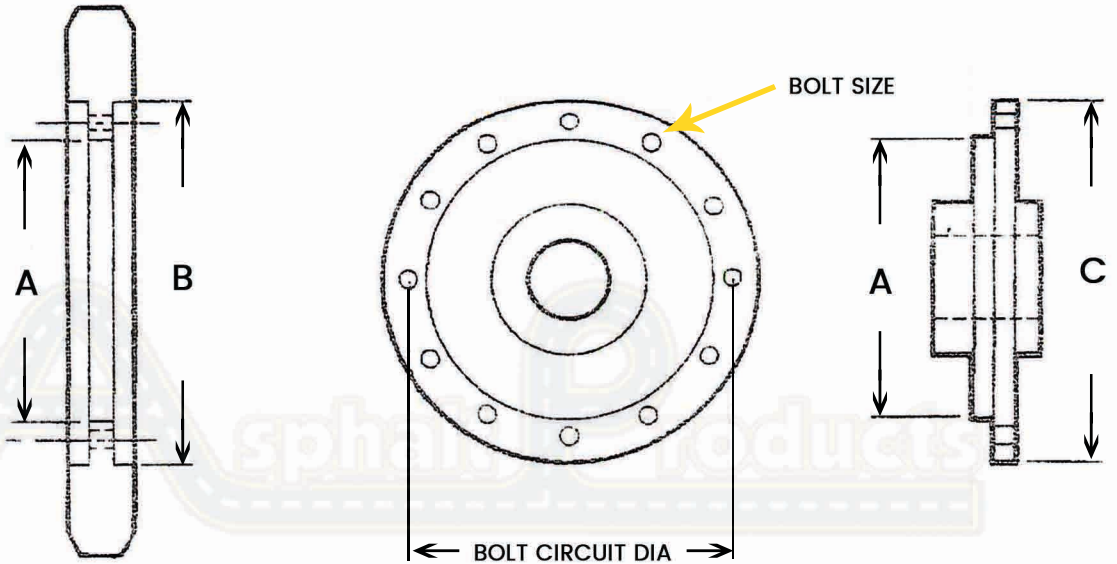


Sprocket Fill-In Sheet

SEGMENTAL RIM



HUB BODY



Sprocket Style
(viewed from end)

Number of Bolts _____

Size of Bolts _____

Bolt Circle Dia _____

Sprocket Style: L or T

Dimension A _____

Dimension B _____

Dimension C _____

A _____

B _____

C _____