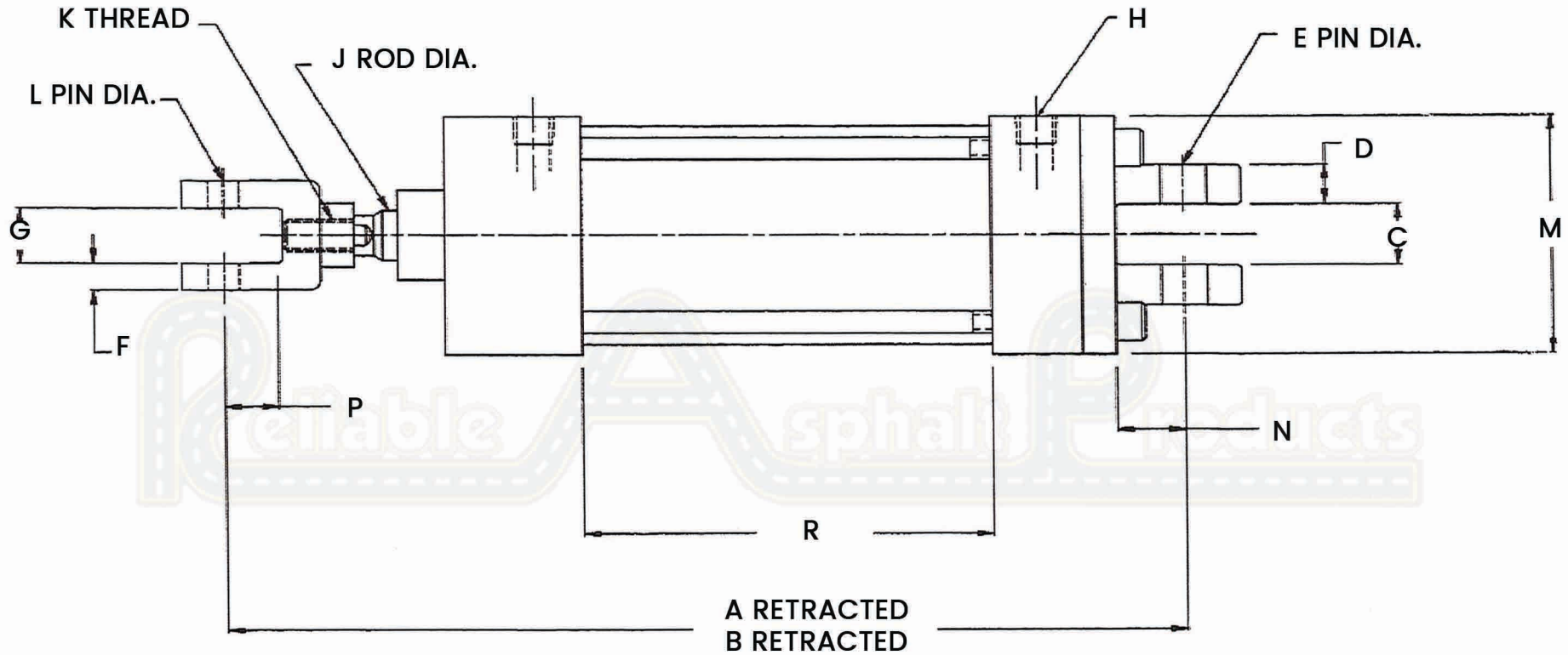


Air Cylinder Fill-In Sheet



A _____"
 B _____"
 C _____"
 D _____"
 E _____"
 F _____"

G _____"
 H _____"
 J _____"
 K _____"
 L _____"
 M _____"

N _____"
 P _____"
 R _____"

A _____
 B _____
 C _____